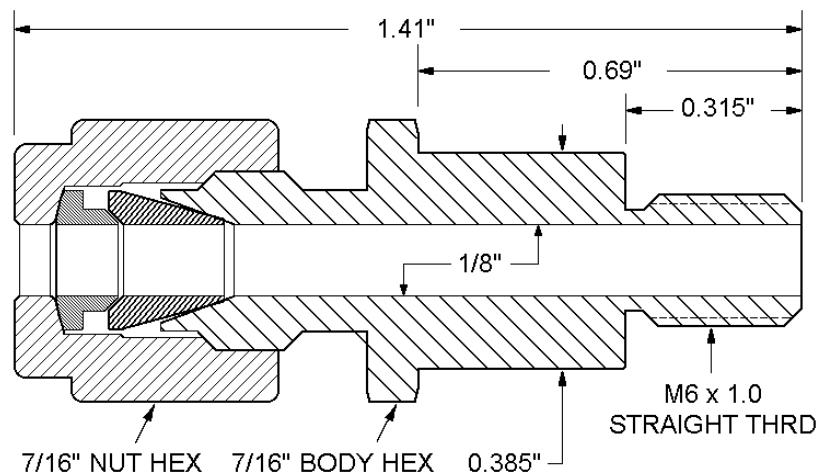


Digital Thermometer & Adaptor for E-61 Groupheads

April 18, 2011

Introduction:

The purpose of this adaptor and digital thermometer is to facilitate the measurement of brew water temperature about 1.25" away from the puck during a brew cycle. In addition, and EQUALLY IMPORTANT, it measures the temperature of the grouphead at the indicated location under idle conditions. It requires no drilling, tapping, soldering, brazing, cutting, teflon tape, or epoxy but is ONLY capable of fitment to E61 groupheads that are fully exposed. The difference between the temperature that you will be measuring using this adaptor and the measured temperature of water hitting the puck is approximately 3-5 degrees F but may vary with different machines and different brew



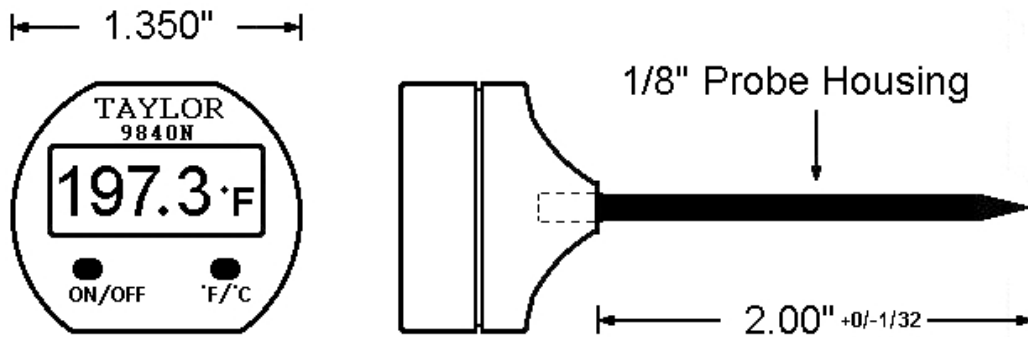
Digital Thermometer Adaptor - Exposed E-61 Grouphead

conditions and most certainly, varies over the course of a typical 23-27 second shot. Indicated temperatures will be higher than those presented to the puck when using the flush-n-wait technique whereas indicated temperatures will be lower than those presented to the puck when using the flush-n-go technique - <http://www.home-barista.com/forums/need-hints-on-using-e61-thermocouple-adapter-t5125.html> There have been several successful adventures in measuring brew water temperature in espresso machines. The best example would be the Scace Thermofilter. It is a well-engineered device, designed to measure brew temperature during an accurately simulated double-shot (45-60 ml) brewing process. Instructions for the use of this device and a professional review of it can be found here:

<http://www.home-barista.com/forums/viewtopic.php?t=453>

Background:

This adaptor is identical to the original thermocouple adaptor except that the “bored-through” size of the fitting is 1/8” (0.125”) vice the original adaptor which has a bored-through size of 1/16” (0.0625”) and the overall length is increased by about 3/16”. In addition, the width of the 7/16” hex on the main body is shortened to enable installation in all machines without adding any additional copper washers as spacers. The advantage to this device is that it is a complete solution to the task of measuring temperature whereas the original thermocouple adaptor requires a thermocouple and appropriate meter.



The disadvantage of this device when compared to the original thermocouple adaptor is in accuracy, response time, and temperature readout resolution (depending on the meter used with the original thermocouple adaptor). My preference, of course, is the original thermocouple adaptor but sometimes the SO’s in our lives do not necessarily want the kitchen turned into an espresso laboratory and, sometimes, we do not want it either.

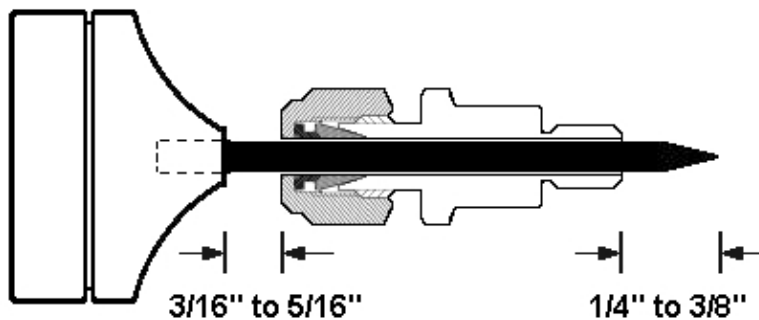
Kit Contents:

- a. Stainless steel adaptor (Swagelok P/N SS-200-1-0221BT or equal) fitted with replaceable nylon ferrules and a modified Taylor Model 9840N (°F / °C user switchable) digital thermometer with soft-touch buttons and auto-shutoff.
- b. Two 6 mm copper sealing washers (one for installation, one as spare)
- c. Adaptor closure plug (should you want to or need to temporarily remove the thermometer ONLY)
- d. One set of spare nylon ferrules (front and back) for adaptor
- e. Original 5” long probe housing with pointed tip which is good for use with the WDT (shipped with thermometers sold direct)
- f. Spare battery (shipped with Taylor Models 3516, 9840N, & 9841 only)

The digital thermometer kit currently ships with a Taylor Model 9840N thermometer that is user switchable from degrees F to degrees C. The Taylor 524 thermometer, which was also user switchable, was temporarily discontinued by the manufacturer.

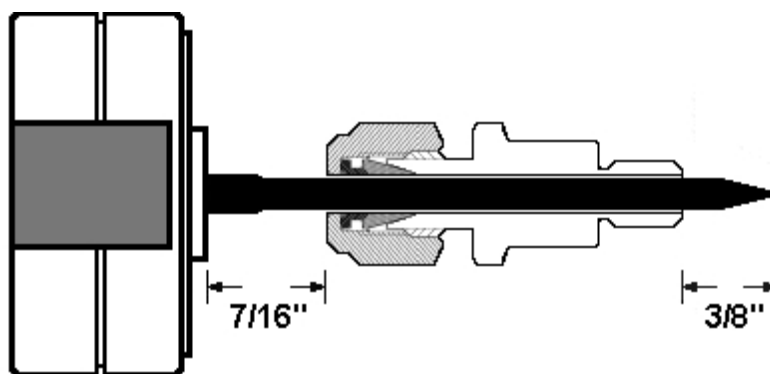
Installing the Digital Thermometer and Adaptor:

When the digital thermometer adaptor is used in a Quickmill machine (Alexia, Andreja, Anita, or Vetrano) or any other machine that utilizes the "standard" E-61 grouphead (Izzo, Giotto, Isomac, Vibiemme, etc.), the probe will come already adjusted (approximately) at the proper depth and the nut will be a heavy finger-tight.



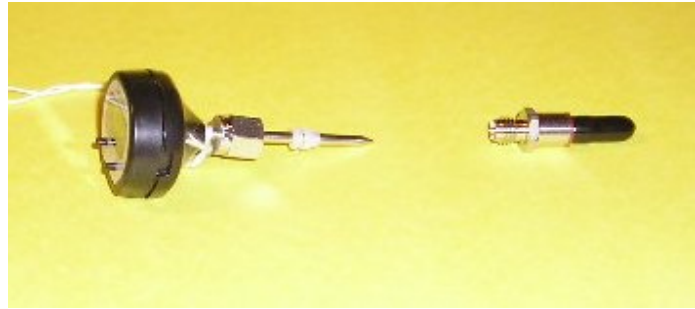
3515, 9841, & 9840N Thermometers

The recommended depth of the probe for these machines is achieved by having the probe protrude 3/8" beyond the end of the M6 threading on the adaptor. This depth should be very satisfactory for the majority of machines with the possible exception of Vibiemme. These machines have a slightly larger grouphead and the machining angles are such that a probe protrusion of 1/4" may also be satisfactory.



508, 524 Thermometers

The above illustrations show the approximate dimensions for the various thermometers offered during the past 4 years. It is best to install the adaptor and thermometer in the machine at room temperature as you will be working in the grouphead area where it is very easy to get burned.



The picture on the left above shows how the thermometer & adaptor should look upon receipt. Unscrew the 7/16" nut and remove the thermometer, nut, & ferrules as a unit as shown on the right picture above. Set the thermometer, nut & ferrules aside for the time being but **be careful that the ferrules do not fall off** and disappear "forever".

Remove the existing M6 x 8 mm allen-head capscrew using a 5 mm long-handle allen wrench. The existing copper or Teflon sealing washer will likely come off semi-attached to the capscrew. If not, remove it from the machined recess in the grouphead and set aside as an emergency spare. Clean the recess and the seating surface for the new copper washer with a water-moistened Q-tip as necessary. A few swipes should do it.

Remove (unscrew) the protective plastic cap from the M6 threads and screw the adaptor with copper sealing washer into the machine FINGER-TIGHT. The adaptor should screw in as easily as the M6 allen head plug screwed out – the threading is identical. It is NOT NECESSARY and definitely NOT RECOMMENDED that you use any type of thread sealant or Teflon tape on the threads of the adaptor. The soft copper washer will deform and thus conform to any surface irregularities and perform all of the necessary sealing.

NOTE

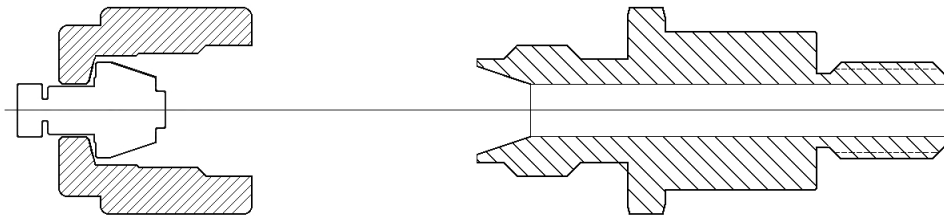
No part of the 7/16 hex should be touching any part of the grouphead. If this is not the case, stop all work and give me a call at 301-587-5033 or send an email to me at erics@erols.com as soon as is practicable.

Using a short 7/16" combination wrench (preferable) or 6" Crescent wrench, tighten the adaptor fitting an additional 1/8 turn or 45 degrees. Do not overtighten.

Now, install the thermometer, 7/16" nut, and ferrules (all as a unit) into the adaptor and tighten the 7/16" thermometer nut loosely FINGER-TIGHT. Orient the thermometer

properly and adjust the thermometer's height depending upon the particular thermometer being installed.

Now turn the 7/16" nut 3/4 of a turn (270 degrees) past finger tight, maintaining the proper orientation of the thermometer itself. Turn the machine on and let it come to normal brewing temperature. Pull a shot through an empty basket and look for any leakage in the area of the adaptor fitting. Now put a blind basket in the portafilter and backflush the machine by cycling the pump on for 10 seconds and off for 10 seconds. There should be no leakage from the adaptor fitting. If necessary, tighten the 7/16" nut connection only enough to correct any leakage.



Installing Plug Onto Digital Thermometer Adaptor

Removing the Digital Thermometer – Adaptor Remains in Machine:

Loosen the 7/16" thermometer nut completely and remove the thermometer, nut, and ferrules as a unit. In order to operate the machine, it will be necessary to install the closure plug supplied with the kit.

Install the adaptor closure plug onto the adaptor fitting finger-tight. Note that the adaptor closure plug seals without the use of any separate ferrules because ferrules are "built-in" within this closure plug. Using a short 7/16" combination wrench, tighten the plug only 1/8 turn (45 degrees) past finger tight while applying a counter-hold on the 7/16" hex on the adaptor body. Plug the machine in, turn it on, and let it reach normal brewing temperature. Pull a shot through an empty basket and look for any leakage in the area of the adaptor fitting. Now put a blind basket in the portafilter and backflush the machine by cycling the pump on for 10 seconds and off for 10 seconds. There should be no leakage from the area where the plug attaches to the adaptor fitting. If necessary, tighten the plug just enough to stop any leaks while applying a counter-hold to the adaptor body hex.

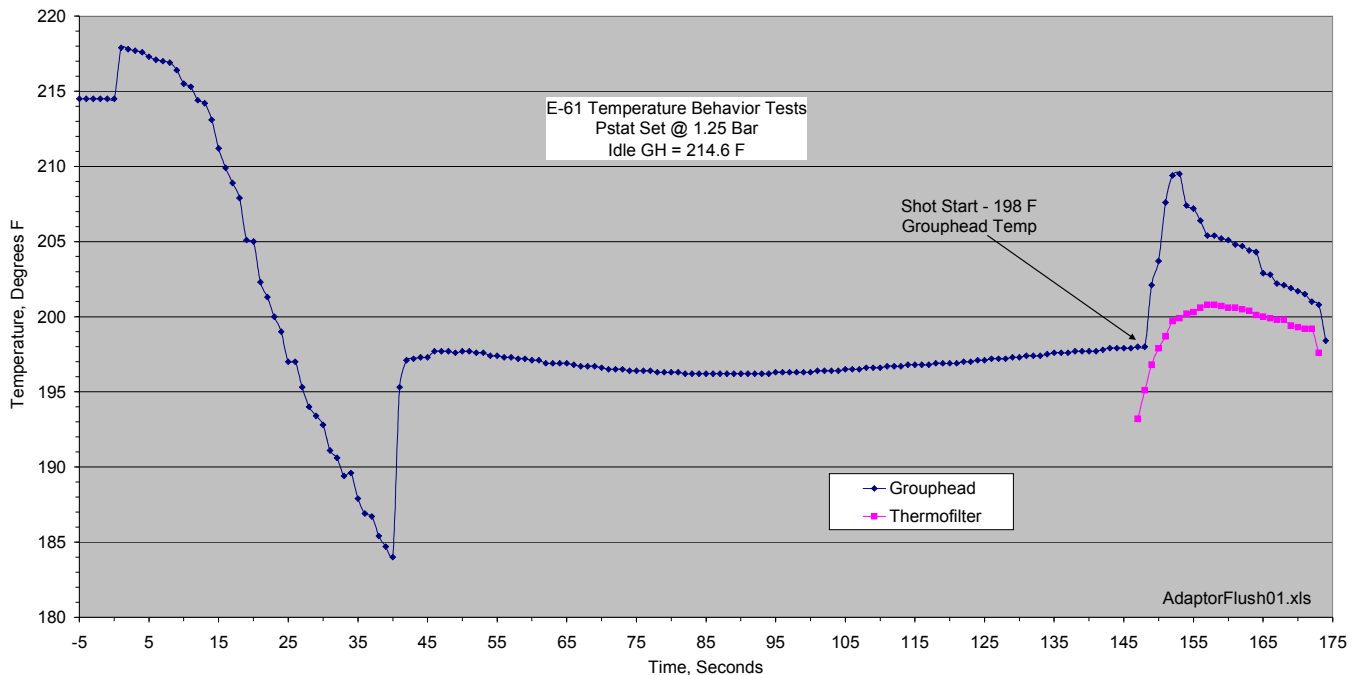
Reinstallation of the Digital Thermometer:

While it is certainly best to use new ferrules when reinstalling the thermometer, old ferrules can be reused but the 7/16" thermometer nut is simply snugged up past finger-

tight and NOT tightened as per the instructions for new ferrules. The nut goes on first, then the back ferrule (NOTE THE ORIENTATION as shown in the first illustration of this document), and finally the front ferrule. Install the thermometer such that the distance between the top of the 7/16" nut and the bottom of the plastic thermometer housing is approximately 1/4" – use a 1/4" drill bit or a 1/4" wide piece of cardboard to attain this dimension. Turn the nut finger tight and then 3/4 of a turn (new ferrules only).

Operation of the Espresso Machine with the Digital Thermometer:

An E-61 espresso machine having a heat exchanger (hx) can be operated in numerous ways. I will attempt to explain two methods that certainly achieve the same results but differ by 180 degrees (NOT temperature degrees) in their methodology. The first method I have termed “flush-n-wait”, the second method is termed “flush-n-go”. In the flush-n-wait method, you are flushing a sufficient quantity of water through the grouphead to cool it down a few degrees BELOW desired brew temperature. Using the flush-n-go method, you are flushing a sufficient quantity of water through the heat exchanger to cool its volume of water well BELOW desired brew temperature but the grouphead will remain ABOVE desired brew temperature. The “wait” method requires



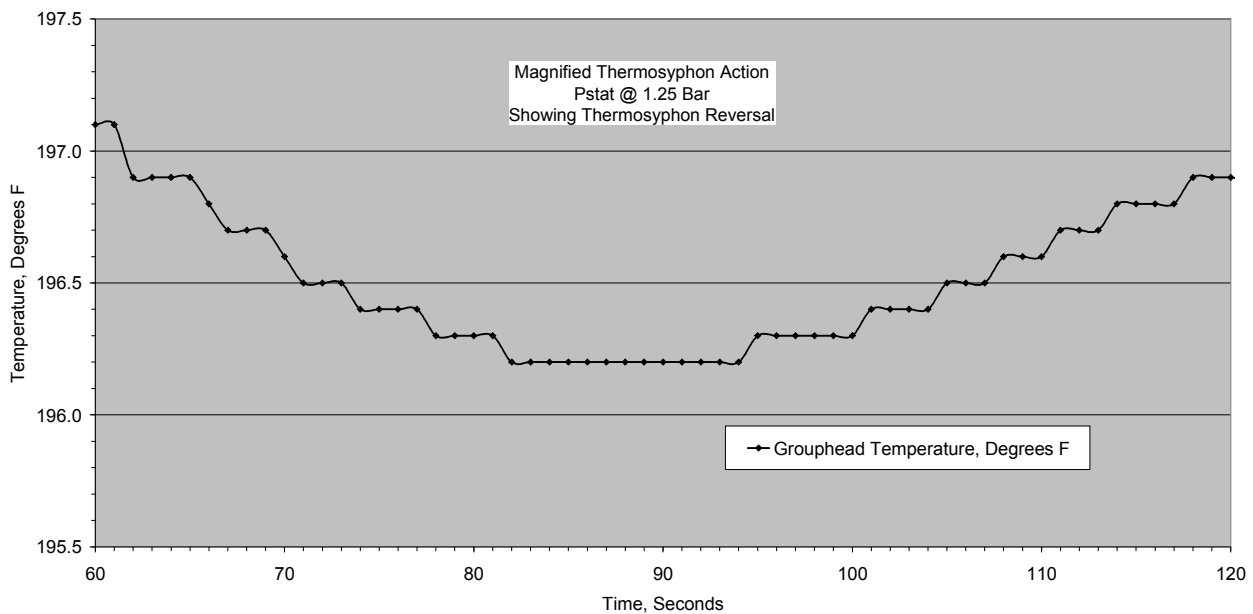
an additional 2 to 3 ounces of flushing water than the “go” method but the actual quantities and the approximate differential will depend greatly on the pressurestat (pstat) setting and the design characteristics of your particular machine.

Everybody has a different pressurestat (pstat) setting – sometimes whether you like it or

not. It is not unusual for gages to be off by around 8% and just the variation in altitude between two users can result in a boiler absolute pressure difference of 0.2 bar. I currently have my pressurestat set to a maximum reading of 1.20 bar (light probably goes out at ~1.15 bar) as this appears to provide a reasonable balance between the amount of flushing, the machine recovery after a shot, and steaming power.

- a. Ensure that the machine has been idle for at least 30 minutes or if starting from a cold machine, 60 minutes.
- b. Flush the machine until the thermometer reads 185 F +/- 1 degree.

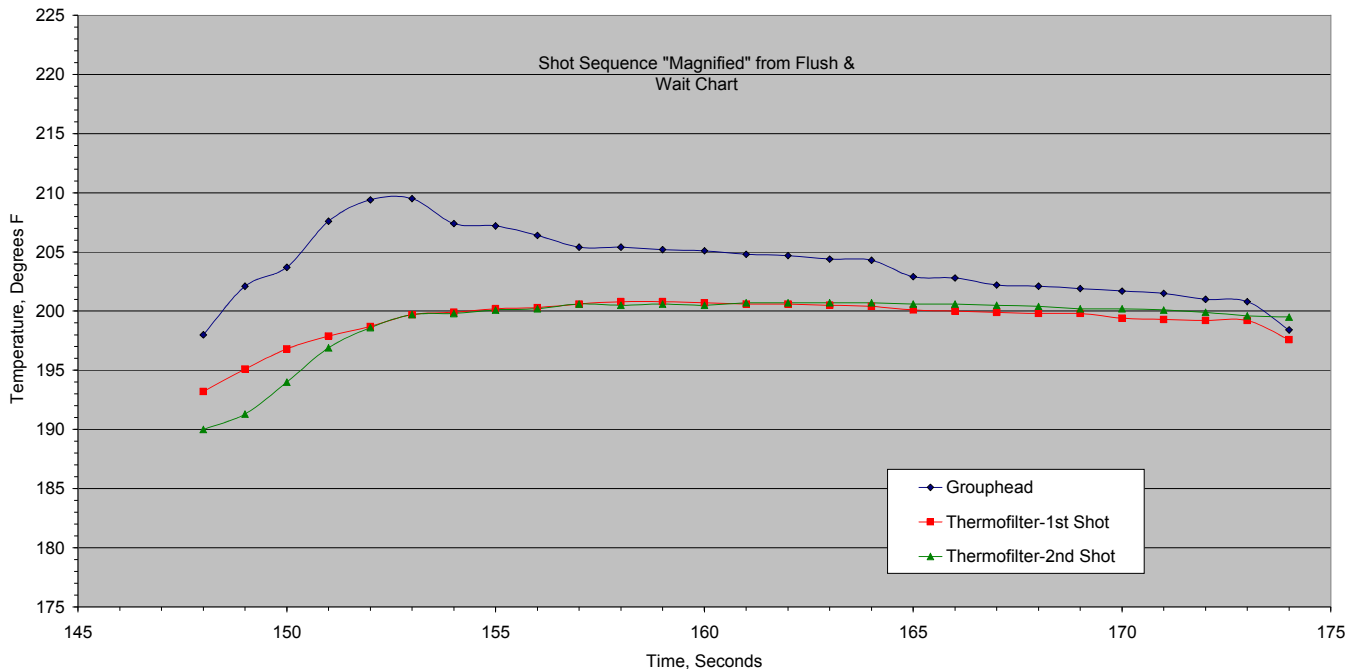
Note that the modified Taylor 524 thermometer is equipped with a small green LED that will light up at ~ 205 F (96.1 C). This has no significance. The chart on the previous page is from an Anita that has a vibratory pump and the temperatures are being measured with a thermocouple. If your machine is equipped with a rotary pump, the time to attain 185 F on your display will surely be less as your flushing flow rate is slightly more than that of the vibratory pump and your source water temperature is lower. As you are pumping away here, the digital thermometer in the adaptor is reading the temperature of the water flowing past. Very soon after you stop pumping (flushing), the thermometer starts reading A TEMPERATURE that is fairly representative of grouphead temperature. As seen in the chart on Page 6, it almost instantaneously bounces up to about 197 F.



However, since the water in the heat exchanger is now about 50 degrees or so below where it was when you started the flush, a REVERSE THERMOSYPHON ACTION is started and heat is being drawn OUT of the grouphead. The grouphead temperature

starts to head DOWN. Above I have a graph that is a magnified version of the 70 to 110 second interval – the scale is changed to magnify the dip. At about the 83-second point, thermosyphon action reverts to NORMAL and the grouphead temperature starts to climb upwards. If you did NOTHING for the next 20 minutes or so, the grouphead temperature would be right back wherever you started – in my case 214.6 F. Now, there is an awful lot more to a “perfect shot” than just “good” temperature management but I am simply illustrating how the digital thermometer adaptor (or thermocouple adaptor) can help.

d. Nothing in the foregoing should necessarily cause you to make changes to your machine as each machine is different although certainly the temperature RESPONSE TIMES of the Quickmill Anita, Andreja, and Vetrano would be very similar. However, all three would be different than, say, a Fiorenzato Bricoletta or Vibiemme Domobar.



e. If you perform this little test a couple of times each day for a couple of days, you can get a pretty good idea of how your machine operates, i.e., how long it takes for the grouphead to recover from what seems like over flushing.

f. A good idea would be to flush into the cup you plan on using for the coffee – most definitely this will heat the cup up. Be sure to wipe it dry prior to pulling the shot into it.

g. When the group hits 197 F +/- 1 (on the way up), start the shot and you SHOULD average very close to 200 F +/- 1 brew temperature with a 1.0 degree variance during the typical 23-27 second shot.

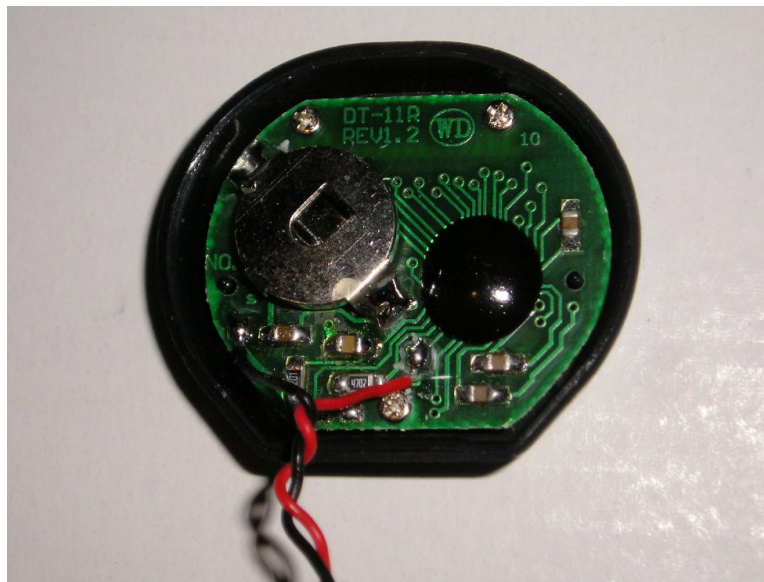
Digital Thermometer Maintenance:

The battery installed in the Taylor 3516 (and spare) is a model number G10-A or G13-A and is an alkaline battery. The exact “Energizer” replacement has model number 189 (for the G-10A); the “Duracell” replacement is D189A (for the G-10A), and the Maxell replacement is LR1130. All digital thermometers sold after around July 1, 2008 likely have a G-13A battery.

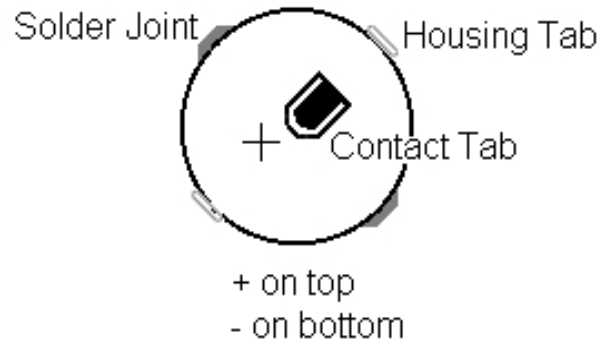
The battery installed in the Taylor 9840N and 9841 is model number G13-A and is also an alkaline battery. The exact “Energizer” replacement model number is A76; the exact “Duracell” replacement is PX76A, and the exact Maxell equivalent is LR44. Radio Shack, Energizer, Duracell, and others have a model 389/390 that appears to be a better equivalent battery in that the cell composition is silver oxide vice alkaline.

Radio Shack, Energizer, Duracell, and others also have a model 386 that appears to be a better equivalent battery in that it too is silver oxide vice alkaline.

The battery in the digital thermometer is designed to operate continuously for one year and I typically leave mine on for days at a time. However, if I knew I was not going to be using the espresso machine for a few days (travel, sickness, etc., etc.), it would be a reasonable practice to turn the thermometer off. Nominal battery voltage is 1.50 to 1.55 volts. A more inclusive battery replacement chart is shown just prior to the Enhanced Kits section at the top of page 12.



The latest thermometer, the Taylor 9840N is equipped with soft-touch buttons for the on/off function and degrees C/F switching. It also incorporates an auto shut-off feature.



Inside the Taylor 3516 (9840N, 9841 very similar)

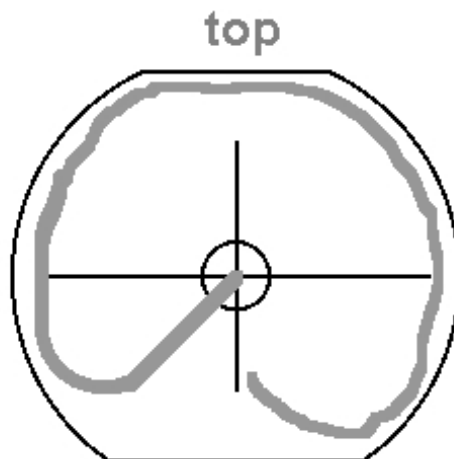
Battery Replacement – Taylor 3516, 9840N, 9841:

Remove the thermometer from the adaptor as previously described.

The case can be opened with a small coin or flat washer – I use my thumbnail. The battery is kept “captive” by two small housing tabs but only one housing tab needs to be bent upwards for battery removal. Carefully straighten this tab while exerting light thumb pressure on the battery housing center. Push the battery from its slot with a small jeweler’s screwdriver or equivalent. Note that the positive terminal (+) of the small button cell battery faces upwards.

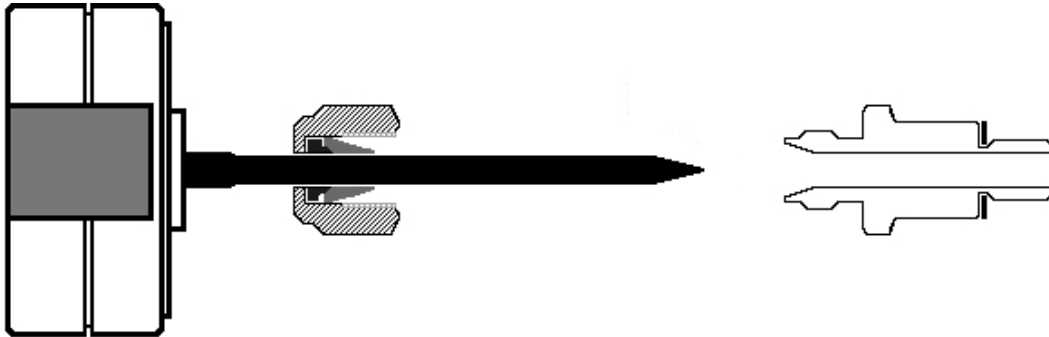
The contact tab near the center of the housing should be at about a 20 degree angle before the replacement battery is installed. This will ensure good contact on both terminal faces.

The above illustration details the parts of the battery housing. The following illustration details the routing of the thermistor wiring necessary before the thermometer halves can be snapped together.



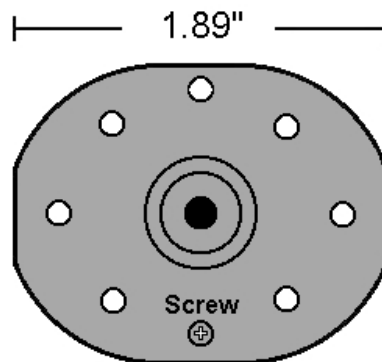
Thermometer Disassembly:

When you open the case as if you were going to replace the battery, you will see two or three VERY SMALL screws that fix the circuit board to the upper case. Although these screws have a small philips head, it is best to remove them with a small (the smallest) flat blade jeweler's screwdriver, preferably magnetized. After removal of these screws,



the circuit board will lift out exposing the backside of the display and the on/off switch assembly. The switch contacts and circuit board contact area can be cleaned with one or two swipes of a clean pencil eraser or contact cleaner.

Battery Replacement – Taylor 508 & 524 Thermometers:



Remove the thermometer from the adaptor as previously described. Fully loosen the 7/16" nut at the top of the adaptor body and remove the thermometer, nut, and ferrules from the adaptor body as a unit. The battery installed in the Taylor 508 & 524 is a lithium cell CR2032 battery and is a very common "button-cell" battery available in many stores. The battery should be replaced when readings grow dim or irregular. You will need a small Philips head screwdriver as is typically found in a "jeweler's" screwdriver set or a # 0 Philips head screwdriver. Gently lift up the lower part of the silicone backing under the base of the thermometer head. Loosen the single small screw located inside the hole in the base part of the thermometer using a No. 0 Philips head screwdriver or a small jeweler's screwdriver.

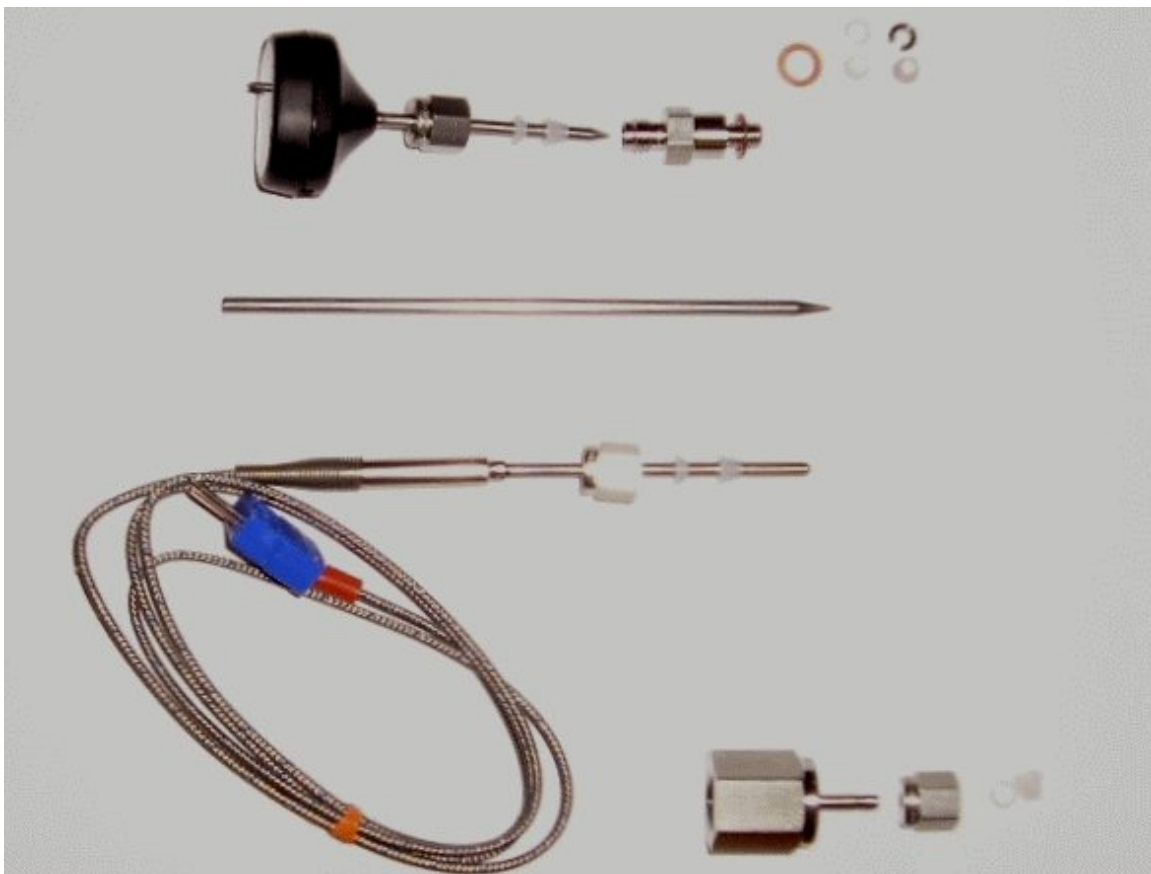
| Battery Type | Millimeters D x H | Inches D x H | Voltage (V) | Maxell | Energizer | Duracell | Rayovac | Digital Thermometer |
|--------------|-------------------|---------------|-------------|---------|-----------|----------|---------|---------------------|
| Alkaline | 11.6 x 3.05 | 0.457 x 0.120 | 1.50 | LR1130 | 189 | D189A | RW89 | G10A |
| | 11.6 x 5.4 | 0.457 x 0.213 | 1.50 | LR44 | A76 | PX76A | RW82 | G13A |
| Silver Oxide | 11.6 x 3.05 | 0.457 x 0.120 | 1.55 | SR1130W | 389/390 | D389/390 | 389/390 | |
| | 11.6 x 5.4 | 0.457 x 0.213 | 1.55 | SR44W | 357 | D357 | 357 | |
| Lithium | 20.0 x 3.20 | 0.787 x 0.126 | 3.00 | CR2032 | CR2032 | CR2032 | CR2032 | CR2032 |

Enhanced Kits:

The primary purpose of the adaptor is to allow the use of the modified digital thermometer to assist in making your espresso better and more consistent. However, once the adaptor is installed, there are very inexpensive options available that would greatly enhance the utility of the adaptor. These enhanced kits are priced separately as shown in the Pricing_Inventory_Ordering pdf document, which is available here:

<http://users.rcn.com/erics/>

The pressure gage adaptor can be used with ANY pressure gage having a 1/4"-18 male NPT connection but it would be highly advisable that the gage be "liquid filled" so as to



dampen gage needle vibrations. It will indicate the pressure presented to the coffee during an actual brew cycle or the preinfusion pressure when the machine is equipped with a rotary pump that is directly connected to the supply main. A recommended gage would be this one: <http://www.gaugestore.com/prodinfo.asp?number=38305> or this one: <http://www.gaugestore.com/prodinfo.asp?number=38673> . Either of these is inherently much more accurate than the gage installed in our espresso machines.

Installation of the Enhanced Pressure Measuring Kit:

Note the approximate distance between the bottom of the thermometer and the top of the 7/16" nut on the adaptor. This should be 3/16" to 1/4" for the 3516, 9840, and 9841 thermometers and approximately 7/16" for the 508 and 524 thermometers. Remove the thermometer, nut, and ferrules as a unit as described on Page 5.

The pressure gage will already be installed into the tube adaptor which has had stainless steel ferrules permanently pre-swaged on its 1/8" shaft.

The picture above shows the gage assembly along with a spare adaptor. Your adaptor will remain in the machine. Simply insert the gage assembly into the thermometer



adaptor, tighten the 7/16" nut with your fingers and then snug it up with a 7/16" wrench – maybe 1/8 of a turn max.

Test the pressure tightness of all connections by inserting a blind basket and “brew away”. Compare the reading on your newly installed gage with the brew pressure gage installed in your machine. The gages should read the same but invariably they will not due to inaccuracies with the machine’s gage. Assuming we are leak-free, brew your

normal shot of espresso and observe the pressure on the gage. Adjust the OPV such that brew pressure is approximately 9.0 bar or a little less, i.e. 8.75 bar.

Checking the Accuracy of the Thermometer:

This is something you would NOT NORMALLY do, but it does prescribe the procedure I utilize. The digital thermometer included in each kit is not capable of being calibrated but it is easy to check its accuracy and speed of response by suspending the tip into the steam portion of a covered pot of boiling water or a thermos jug/jug cap filled with a distilled water / ice slurry mixture.

Note your current altitude, e.g., Silver Spring, Maryland is about 300 feet above sea level; Denver, Colorado is slightly more. Note your current barometric pressure e.g. 29.92" Hg, 28.96" Hg, 29.54" Hg, etc. You can use this website to determine water's boiling point:

<http://www.csgnetwork.com/h2oboilcalc.html>

For example, the current barometric pressure in Silver Spring, MD is 29.99" Hg, referenced to sea level. If I were at sea level, the boiling point of water would be 212.12 degrees F. However, because Silver Spring, Maryland averages about 300 feet



above sea level, the boiling point of water at the current barometric pressure is 211.60 degrees F. Suspend the probe end of the digital thermometer into a pot of vigorously boiling water and observe the meter reading with the probe suspended in the steam.

Punch a 1/8" hole into a 2" x 2" piece of cardboard to avoid steaming up the underside of the thermometer. A simple tea kettle would also be fine for this purpose. Make both a mental and physical note of the reading. Recheck, as you feel necessary.

Another method of "checking" YOUR digital thermometer kit is to immerse the thermometer tip in a covered short thermos jug filled with a mixture of crushed, distilled water ice and distilled water – think of a flavorless coarse slurpy. This method is nice because it is independent of altitude and barometric pressure but needs about 15 minutes or so to stabilize around the established freezing point of water (32.0 F).

Each digital thermometer sold direct ships with a tag attached to the probe stem. The small writing at the bottom shows the temperature of boiling water/condensing steam here in Silver Spring, Maryland (MD) for the particular test day conditions, the date of the test, and my initials. The large number shows what the thermometer read while in the "test pot."



Kits shipped with the Taylor 9841, 9840N, 508, or 524 thermometers outside the US have one side in degrees Fahrenheit and the other in degrees Celsius. Celsius thermometers are independently tested reading both temperature scales, i.e. the numbers MAY NOT equate mathematically in accordance with established conversion formulas from F to C or C to F.

Spare Parts:

| | |
|--------------------|--|
| Nylon ferrule set | Swagelok P/N NY-200-SET |
| 6 mm copper washer | Copper sealing washer, 6.2 x 9.9 mm |
| 7/16" Nut | Swagelok P/N SS-202-1 |
| Plug | Swagelok P/N SS-200-P |
| Batteries | G10 – A (Taylor 3516 up to approximately 6/1/08) |
| | G13 – A or LR44 (later Taylor 3516, 9840N, & 9841) |
| | Energizer 357 (later Taylor 3516, 9840N, & 9841) |
| | CR2032 (Taylor 524) |

Digital Scales:

There are a multitude of digital scales out there as there are digital thermometers. The “best” digital scales accept commonly available batteries (AAA or AA), have non-illuminated displays, and are within the anticipated weight range you desire. I now carry a small stock of nice scales 0-500 grams, they take two AAA batteries (included) and have performed well for me for over a year. Any scales accuracy/repeatability can be checked with a **NEW** US penny – it weighs 2.500 grams.

Pricing and Stock Status:

Complete ordering information and stock status can be found in the document entitled Pricing_Inventory_Ordering available for download on my crude FTP site: <http://users.rcn.com/erics/> . Comments on these instructions or questions of a general nature that could be included in the FAQ section of the install manual would be GREATLY appreciated. The latest updates to this document, in addition to other goodies of information, are always available at <http://users.rcn.com/erics/> . This document is currently DigThermAdptr3.pdf.

You should always check for this prior to your installation !!!

Eric Svendson
Phone 301-587-5033

1223 Woodside Pkwy
erics@erols.com

Silver Spring, MD 20910-1666

Warranty:

For the first 30 days – full refund of monies exclusive of postage and CoffeeKids donation will be made upon your request AND upon receipt of product.

The thermometer, attached probe, and any purchased accessories are guaranteed to be fully functional for 1 year from the date of purchase. The stainless steel and brass adaptors, excluding the ferrules and copper washers, are warranted to the original purchaser for life. Replacements during this time period will be made for the cost of postage, shipping supplies, and a small “handling” fee - \$10.00 AND upon receipt of old unit. Replacement units will ship with one set of new ferrules, nut, and a little orange doughnut on the probe to keep the parts together. This little orange doughnut **MUST BE REMOVED** prior to installation. You are obligated to return the old parts (nut and ferrules and thermometer). If the thermometer was purchased directly from me, no receipt is required – I retain ALL e-mails. If the thermometer was purchased from Chris’ Coffee, an order number or some other validated document is required.

Frequently Asked Questions (in a very random sequence)

1. How “custom” is this adaptor? Can I get spare parts readily?

The particular adaptor currently has a 6 to 8 week lead-time – is this custom enough for you? All of the parts, which make up the adaptor with the exception of the body, are “off the shelf” parts, typically stocked by Swagelok distributors. Even if the part(s) is not stocked, it would be available in a couple of days – they are all standard catalog items. I always have all the spare parts available that you could ever want.

2. Is it OK to take the adaptor apart when I get it?

You certainly can but be sure to take it apart on a soft, dark surface with a “mandrel” of sorts slid inside. This is to minimize the chances of dropping small, almost translucent, parts (which you would be hard pressed to find) all over the floor. The ideal mandrel is any smooth 1/8” diameter “rod”, e.g., a 1/8” drill bit, 1/8” tubing, possibly a smooth 1/8” wooden dowel, or the thermometer probe itself.

3. What temperatures should I shoot for?

For sure that depends on the beans you are using but I have found that a measured average temperature of 203 F at the passageway intersection (with Silvia) corresponds to 198 F water hitting the “puck”.

4. Should I use the plug that came with the kit?

The plug allows you to remove the thermometer for in or out of warranty service/repair and operate your machine in a normal manner. Install the adaptor and plug as per the instructions and become intimate with your machine. Practice making consistent shots (not necessarily great shots) in the SAME identical manner to which you have become accustomed.

5. Why can I still turn the 7/16 nut after I have tightened it the prescribed 3/4 of a turn from finger tight?

Nylon has a little more “give” than metal. Turning the nut over 3/4 turn will distort the nylon ferrules such that their reusability is questionable. Tightening the nut as described in the instructions should be sufficient.

6. I have removed my M6 allen head screw like you said and there is NO copper washer present.

Hmm. Hmm. Every penny counts in manufacturing and sometimes these people go too far. The screw was probably sealed with sealant on the threads. OBVIOUSLY, it worked with your espresso machine and IT WORKS in many other applications because the sealant is applied in very controlled conditions but, IMO, it is not the best way; certainly not for a retrofit. Use a new copper washer on the thermocouple adaptor, follow the instructions EXACTLY as written and you will be happy with a leak-proof connection.

7. Are there any special instructions for E61 heat exchanger machines? Yes, please read the document entitled “thermocouple adaptor tidbits” available from my FTP website: <http://users.rcn.com/erics/> . In addition, there exists an abundant supply of well-written and informative articles on hx machine operation, particularly on this website - <http://www.home-barista.com/> . However, someone who makes strictly espresso with a heat exchanger (hx) machine has an advantage over one who is using the same type of machine but also making cappy’s and latte’s. The rational being that the pstat setting can be slightly lowered which will inherently lower boiler water temperature and thus hx temperature. In turn, this will reduce the cooling flush requirements.

8. Can I re-use any of those copper washers you supply?

Well, you can, but it is not the best practice. The copper sealing washers actually compress during installation and thus conform to any irregularities on the surfaces. When tightening the adaptor with a used copper washer, simply “snug it up” as it would require too much torque to deform it as in an original install. Spare washers are best obtained from the parts department of a German car dealership.

9. How about updates to this installation manual?

The latest updates are always available at <http://users.rcn.com/erics/> . You should always check for this prior to your installation. Click on the “Digital Thermometer Adaptor” folder and then open/save the appropriate pdf file contained therein.

10. How do I go about ordering and paying for one of these devices?

Please see the document Pricing_Inventory_Ordering.doc available here:

<http://users.rcn.com/erics/> for more detailed pricing information.

I do accept Paypal (my Paypal email is same as normal email) however please note that Paypal charges me a fee for transactions so add this additional amount onto your total and I will forward a check to CoffeeKids on your behalf and provide an appropriate email to you as a receipt.

11. Does this gizmo have any “problem areas” that I should know about?

Well, ahem, I’m glad you asked. The switch or switches (in the case of the 3516, 9840 & 9841) are simply miniature sliding contacts that CAN BE tough to operate. While it is rare, sometimes they don’t make the best contact – in this case press down on the button and/or turn the device on/off a few times. Operation of the switch will improve with use.

12. What can you say about the quality of the thermometer and/or thermistor?

Well, ahem, ahem, I’m glad you asked this also. We have all seen the dozens of digital thermometers available in stores and on the internet. Heck, just do a “google search” on [digital thermometer] and sit back a while. As received by me, these thermometers are put together in a manner commensurate with their cost. HOWEVER, taking them apart, cleaning out the globs of excess hot melt glue, applying the heat shrink tubing to the thermistor leads, and dabbing the thermistor in heat transfer grease makes them very nice indeed. The thermometers utilize a 50K ohm NTC (negative temperature coefficient) thermistor of surprisingly high quality and that has an industry standard temperature-resistance curve.

In short, I take an “OK” product and make it very good.

13. Would you answer any questions over the phone that I might have?

Sure – call anytime up until midnight (EST) 7 days a week – 301-587-5033.

14. Do I need any special tools to install this device?

The ONLY tools you need are a 5 mm allen head wrench to remove the existing screw in the grouphead and a 7/16” wrench or small crescent wrench to install the adaptor. You might also want to use a small 6” ruler to measure/check the probe protrusion.

15. What does it mean when the temperature readout is a little dimmer on Tuesday than it was on Monday?

Time for battery replacement – please see text – important.

16. What does it mean when the temperature readout is LL.L ?

Oh no. One of the leads to the temperature sensor (thermistor) has broken or has disconnected. Hospital time.

17. Are there any other uses for this device that you can think of?

When your espresso production is over for the day and your machine has been on but idle for at least one hour, do the following and record the results, along with the date.

Record the maximum pstat reading (boiler pressure) and grouphead temperature. Start the “timer” and flush till the thermometer reads temperature “A”. Let the machine recover to temperature “B” (rising to, not falling to). When the digital thermometer hits temperature “B”, stop the timer. Suggested vales for temperature “A” – 175 to 185
Corresponding values for temperature “B” – 190 to 200

Do this test every month and you will have a good idea as to when your machine might need some descaling (or not). As long as the pstat setting is not changed, increased recovery time is a direct indicator of scale build-up on the heat exchange surfaces.

End of FAQ – Please suggest more

Outline - Digital Thermometer & Adaptor for E-61 Groupheads

Introduction

Background

Kit Contents

Installing the Digital Thermometer and Adaptor

Removing the Digital Thermometer – Adaptor Remains in Machine

Reinstallation of the Digital Thermometer

Operation of the Espresso Machine with Digital Thermometer

Digital Thermometer Maintenance

Battery Replacement – Taylor 3516, 9840N, 9841

Thermometer Disassembly

Battery Replacement – Taylor 508 & 524 Thermometers
Enhanced Kits
Installation of the Enhanced Kit (pressure)
Checking the Accuracy of the Thermometer
Spare Parts
Digital Scales
Pricing & Stock Status
Warranty
FAQ

Temperature Measuring History

01/13/2011 – Today I received a shipment of 48 digital thermometers from Taylor, Model 9840N. Although the packaging and appearance of the thermometers was the same, internally they were slightly altered. My assembly methods needed a little revision.



Digital Thermometer Improvements

The original digital thermometer was built using the Taylor 3516 which read only in degrees F. The disassembly consisted of pulling the probe housing out of the stock thermometer and carefully folding the thermistor leads over such that the length of the exposed wiring was approximately 2.0".

The exposed thermistor was given a small coating of thermal paste and the custom probe housing was pressed into place.

