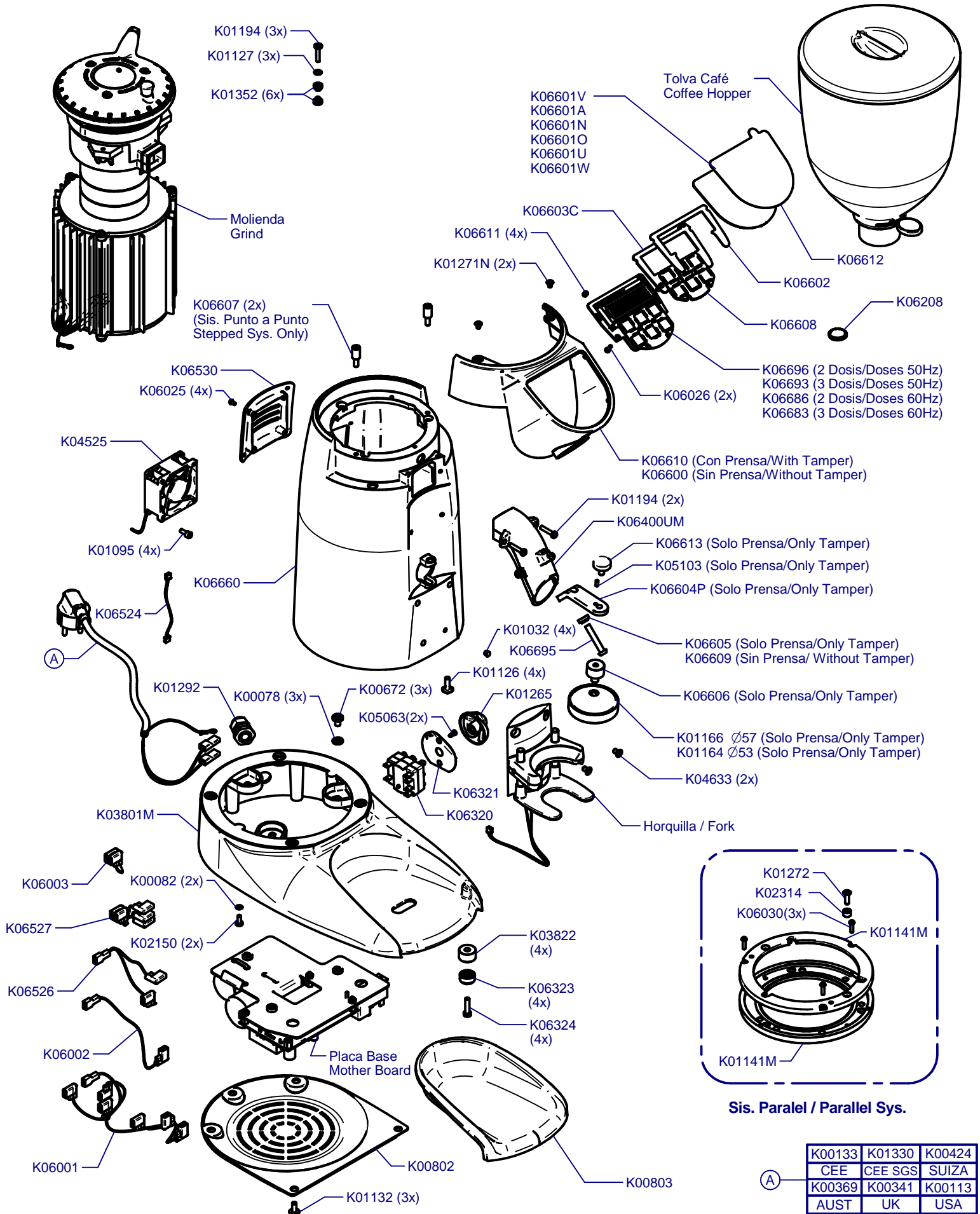


E10 Essential Conic On Demand

Updated 28/07/2014



Sis. Paralel / Parallel Sys.

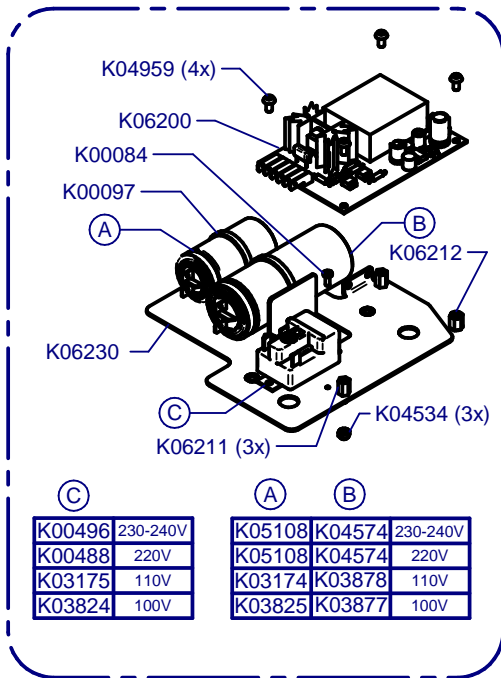
K00133	K01330	K00424
CEE	CEE SGS	SUIZA
K00369	K00341	K00113
AUST	UK	USA

A

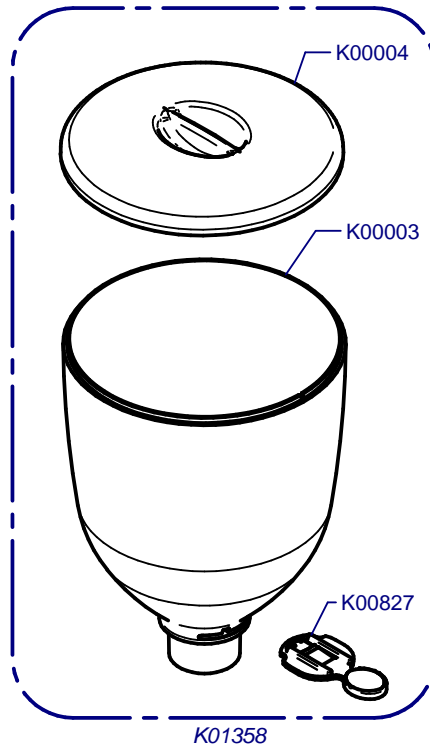
E10 Essential Conic On Demand

Updated 28/07/2014

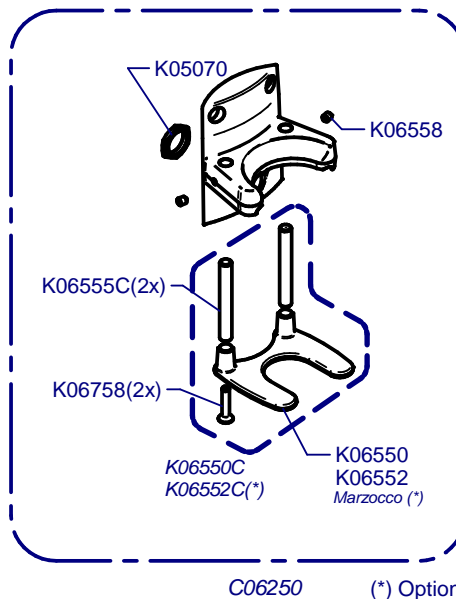
Placa Base / Mother Board



Tolva Café / Coffee Hopper



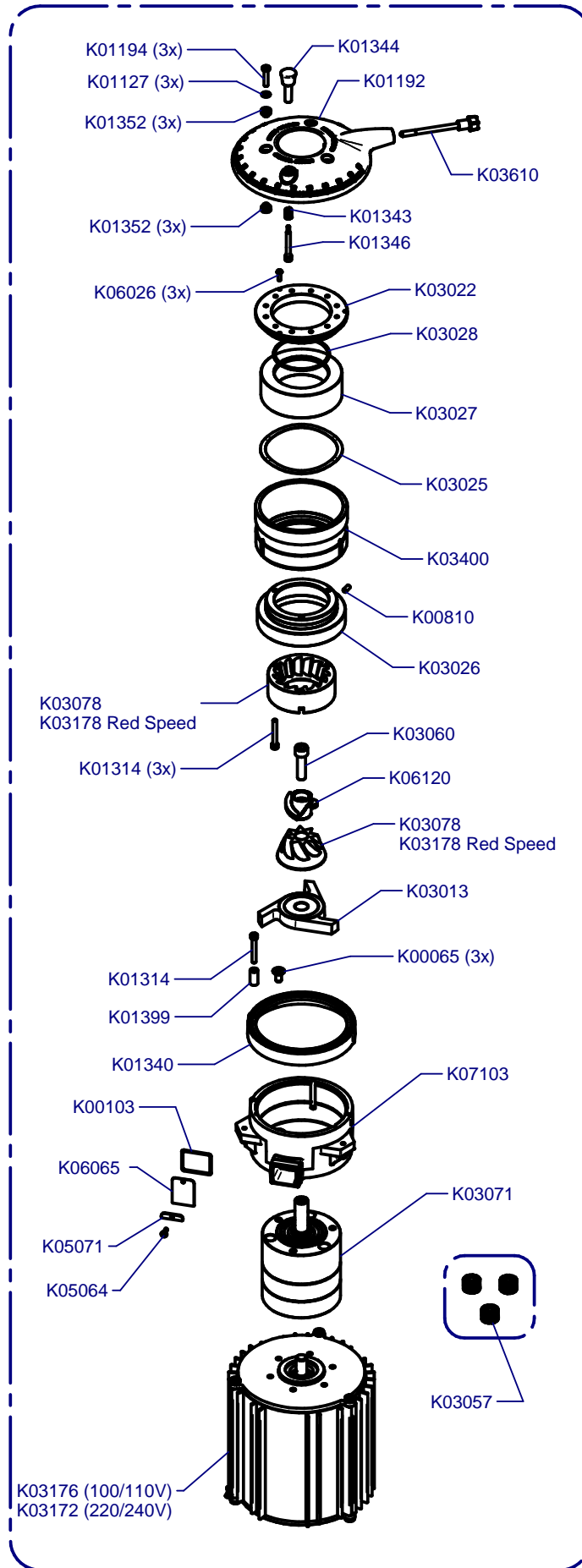
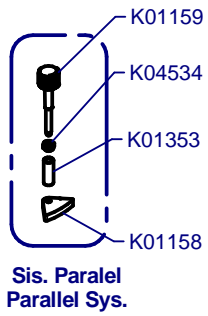
Horquilla / Fork



E10 Essential Conic On Demand

Updated 28/07/2014

Molienda / Grind



**(*) Sis. Punto a Punto
Stepped Sys.**